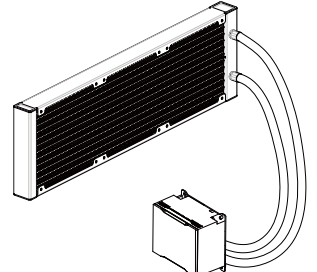
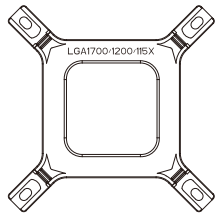
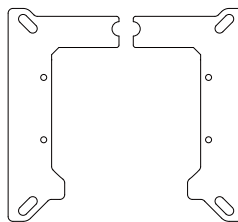
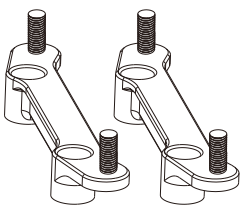
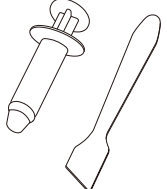
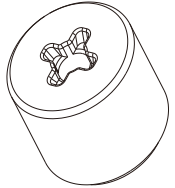
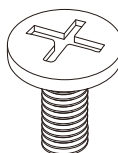
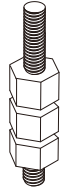

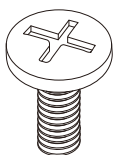
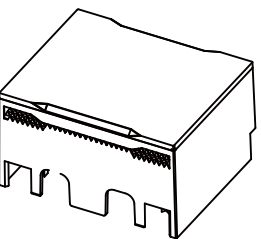




Dive into your next dimension

HYDROTEMP Parts list

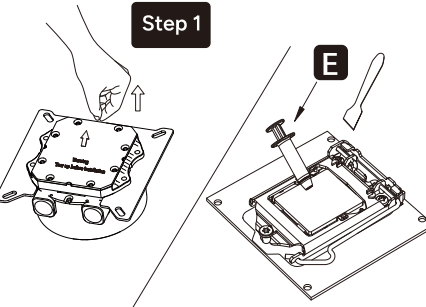
<p>A</p>  <p>CPU Cooler x1</p>	<p>B</p>  <p>Intel Backplate x1</p>	<p>C</p>  <p>Intel Bracket x2</p>
<p>D</p>  <p>AMD Bracket x2</p>	<p>E</p>  <p>Thermal Paste x1</p>	<p>G1</p>  <p>Screw x4</p>
<p>G2</p>  <p>AMD Bracke Screw x4</p>	<p>G3</p>  <p>INTEL Screw (COMPATIBLEWITH LGA115X LGA1200,LGA1700) x4</p>	<p>G4</p>  <p>LGA2011 Stud x4</p>
<p>G5</p>  <p>Case Screws 240/280: x8 360: x12</p>	<p>G6</p>  <p>3.5-inch display x1</p>	



Dive into your next dimension

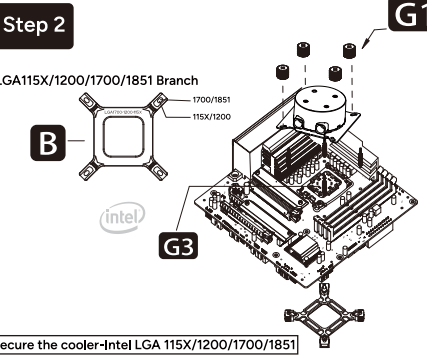
HYDROTEMP User Manual

Step 1



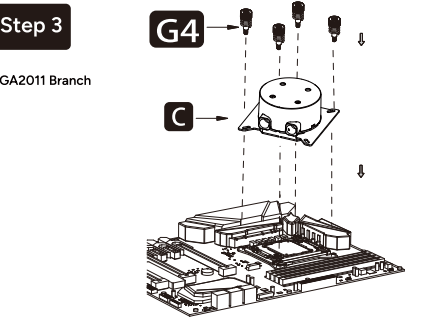
Remove the protection film / Applying thermal paste

Step 2



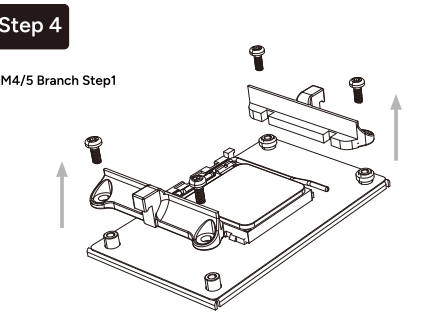
LGA115X/1200/1700/1851 Branch
Secure the cooler-Intel LGA 115X/1200/1700/1851

Step 3



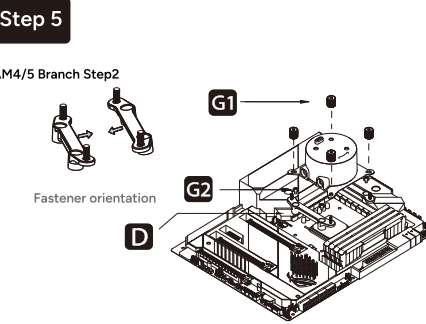
LGA2011 Branch
Secure the cooler-Intel LGA 2011

Step 4



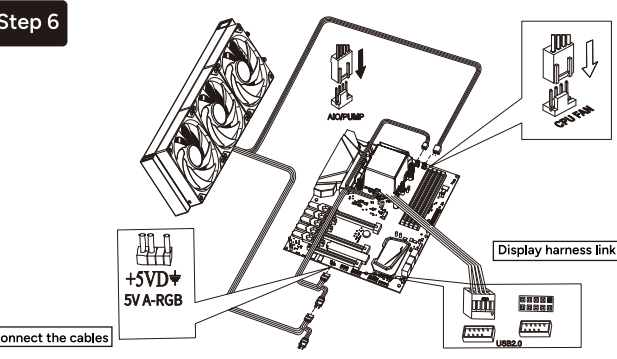
AM4/5 Branch Step1
Remove the motherboard socket. Retain the backplane

Step 5



AM4/5 Branch Step2
Fastener orientation
Secure the cooler-AMD

Step 6



Connect the cables

Display harness link

+5V D+
5V A-RGB

AC/PUMP

SPK

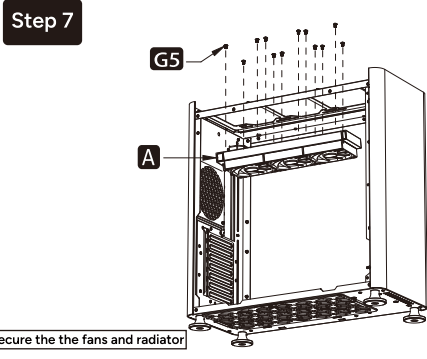
Please link the display to the motherboard USB2.0 interface (Generally in the lowermost position of the motherboard, according to the direction of the interface gap can be inserted, guests can check according to the motherboard manual)

Connect the 4-pin connector from the pump unit to AIO/PUMP socket on the motherboard

Connect the 4-pin fan PWM connector to CPU_FAN socket on the motherboard

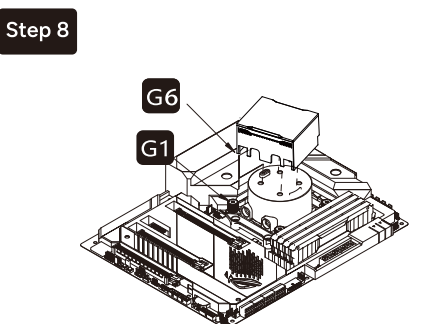
Connect the fan to the 5V ARGB socket on the motherboard

Step 7



Secure the the fans and radiator

Step 8




Install screen components

LAST STEP

IMPORTANT!

1- THE SCREEN REQUIRES SPECIAL SOFTWARE TO WORKS.
2- IMPORTANT! SHOULD INSTALL THE SOFTWARE YOU WILL FIND IN THE DOWNLOAD PAGE FOR THE SCREEN WORKS.
3- PLEASE SCAN THIS QR, SEARCH FOR YOUR PRODUCT AND DOWNLOAD THE SOFTWARE.



XYZ
Find out more about us at
www.xyzpcgear.com

